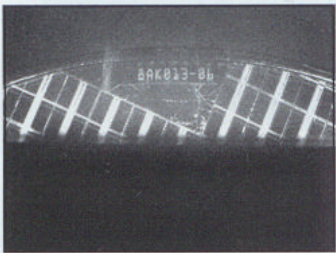
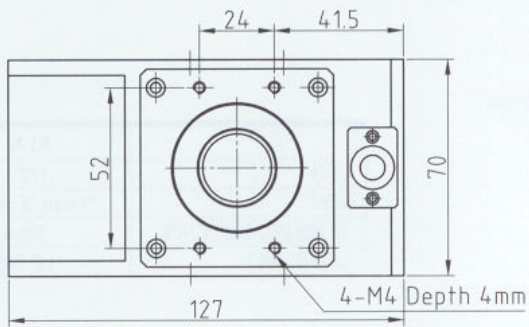
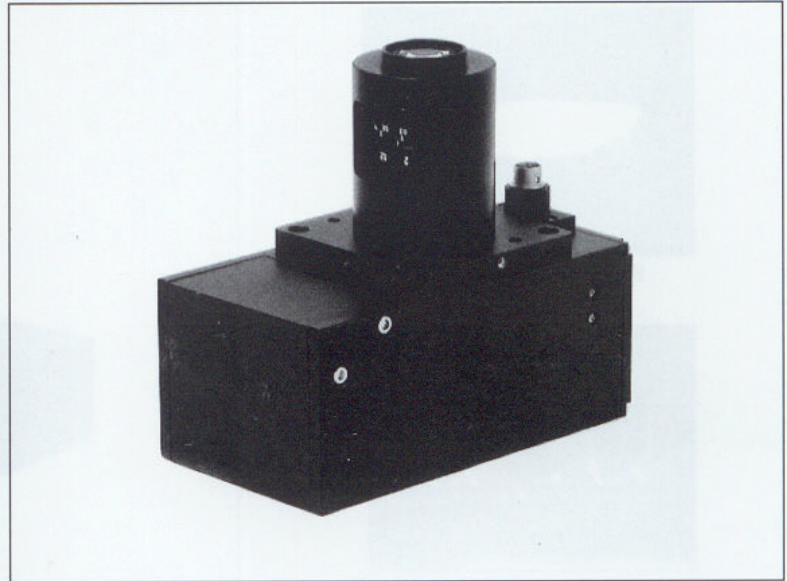


BRIGHT WAFER CHECKING



WAFER OCR-INSPECTION



	AIT
CCD	1/2"
FOV	50mm (X-AXIS)
WORKING DISTANCE	20mm
LED POWER	LP 203

