

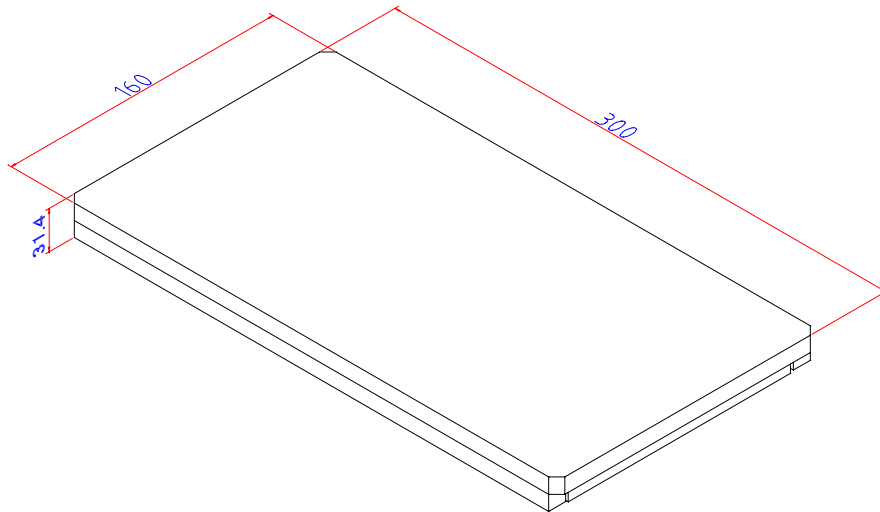
X-Y AXIS STAGE MANUAL SLIDING TYPE

Order Made code

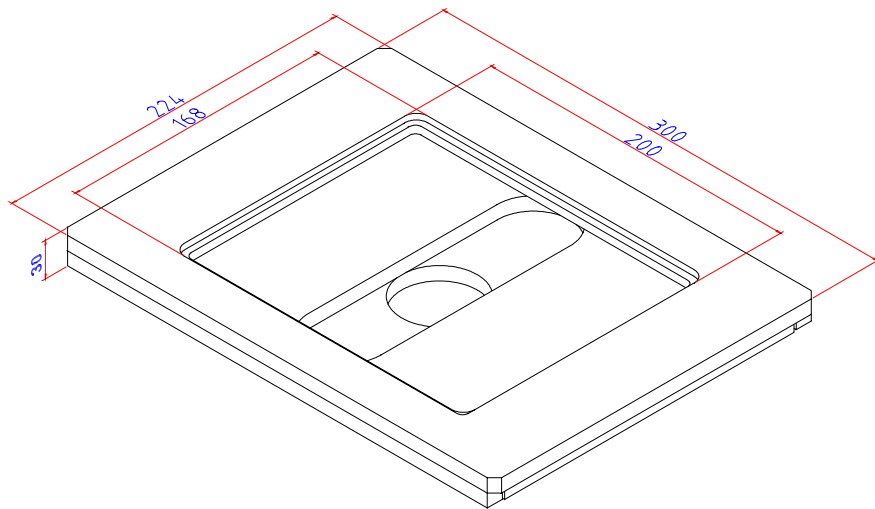
1. Upper table size ()mm
2. Travel Range ()mm



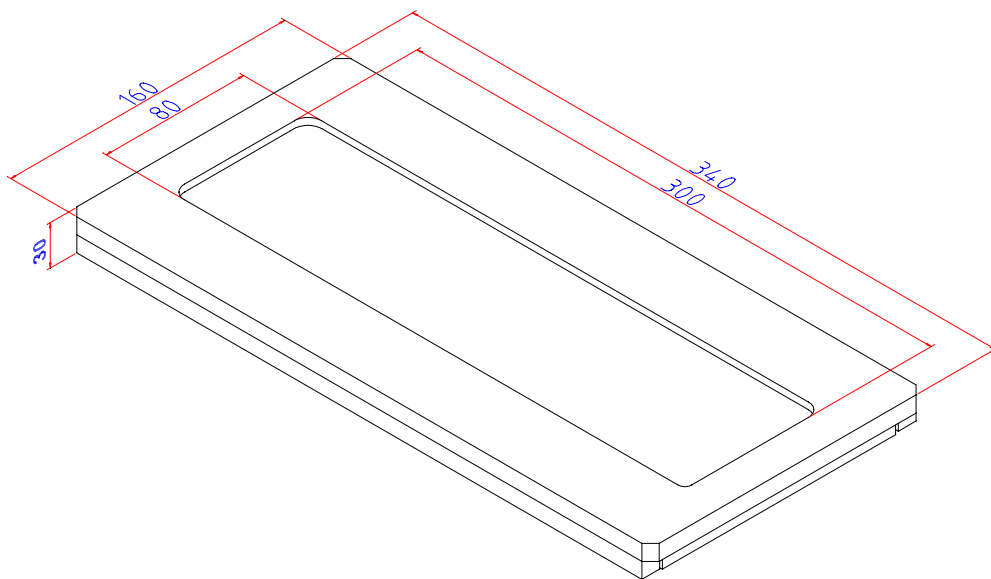
	STG2-210100	STG2-200150	STG2-30080
Travel Axis	X,Y		
Travel Range(mm)	X: ± 105 Y: ± 50	X: ± 100 Y: ± 75	X: ± 150 Y: ± 40
Stage Surface	300 x 160	300 x 224	160 x 340
Load Capacity	4kg		
Material	Aluminum		



STG2-210100



STG2-200150



STG2-30080