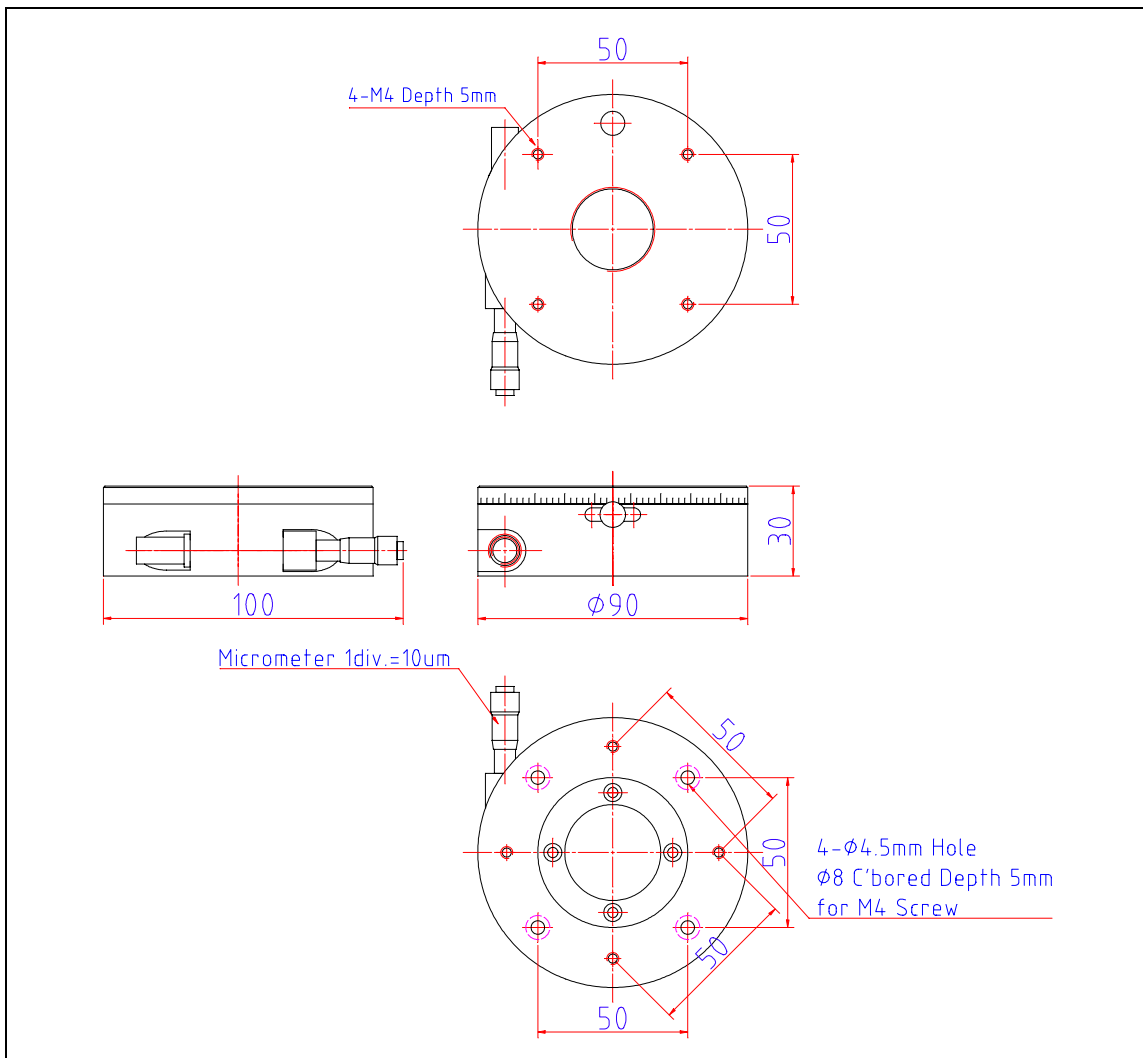


ROTARY STAGE



	<b>STR-100</b>
<b>Travel Range (Degree)</b>	±5°
<b>Stage Surface</b>	φ90
<b>Minimum Leading</b>	Vernier Grade 0.1
<b>Load Capacity</b>	1kg
<b>Material</b>	Aluminum



## Moterized Rotary Stage

Order made code

1. Upper table size ( )mm
2. Travel Range ( ) Dgree

	DMR130
Travel Range	360°
Stage Surface	φ130
Load Capacity	4kg
Material	Aluminum

